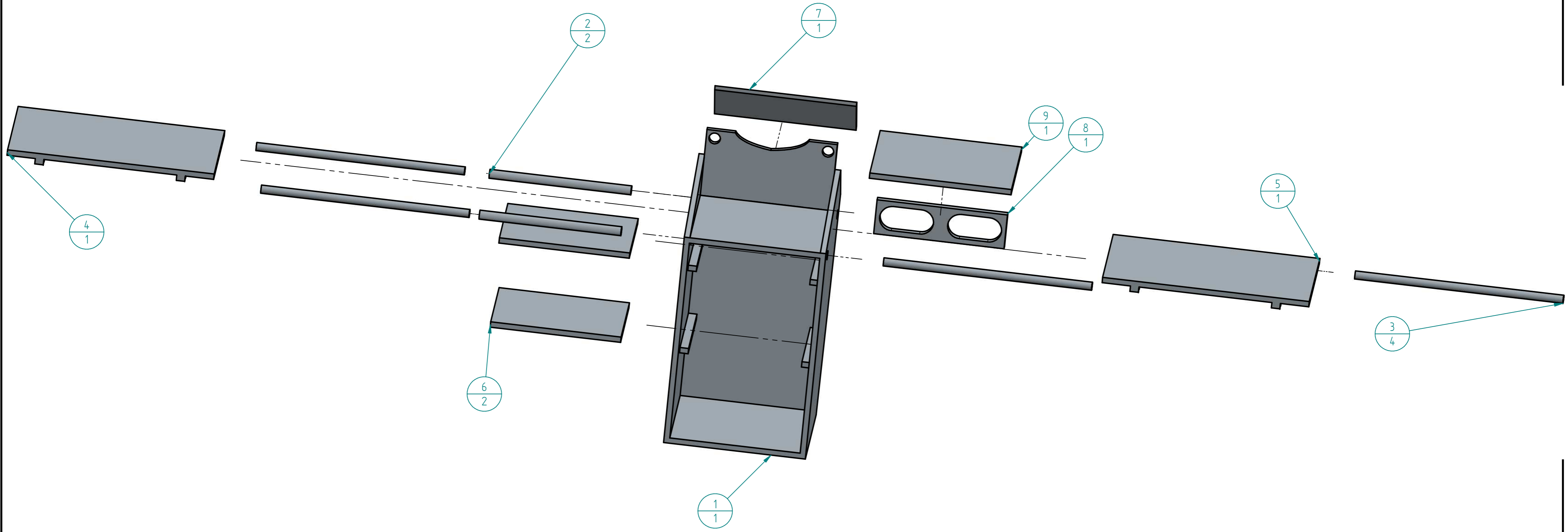


REVISION HISTORY			
REV	DESCRIPTION	DATE	APPROVED



Item Number	File Name (no extension)	Author	Quantity
1	Unit	s1688506	1
2	Bigger Pipe	s1688506	2
3	Smaller Pipe	s1688506	4
4	Top 1	s1688506	1
5	Top 2 T Bone	s1688506	1
6	Shelf	s1688506	2
7	Bottom Cover	s1688506	1
8	Main Top Support	s1688506	1
9	Main Top	s1688506	1

ACADEMIC COPY

	NAME	DATE	Solid Edge	
DRAWN	Porai Gwendere	18/01/19		
CHECKED			TITLE	
ENG APPR			Fork In The Road: Mobile Kitchen Exploded View	
MGR APPR			SIZE	DWG NO
UNLESS OTHERWISE SPECIFIED DIMENSIONS ARE IN MILLIMETERS AND ANGLES IN (°)			A2	2
			REV	1
FILE NAME: Exploded View .dft			SCALE:	WEIGHT:
SHEET 1 OF 1				