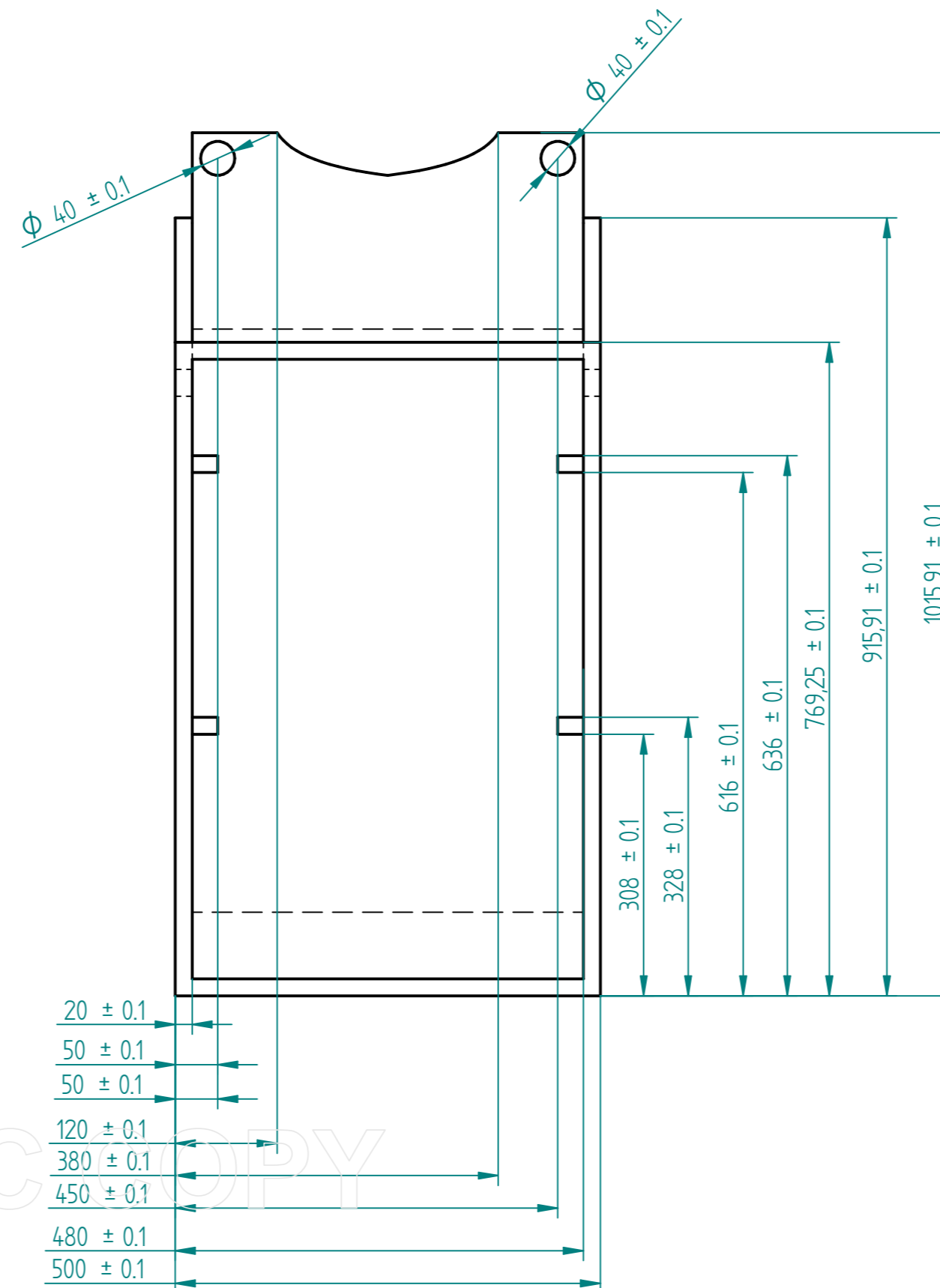
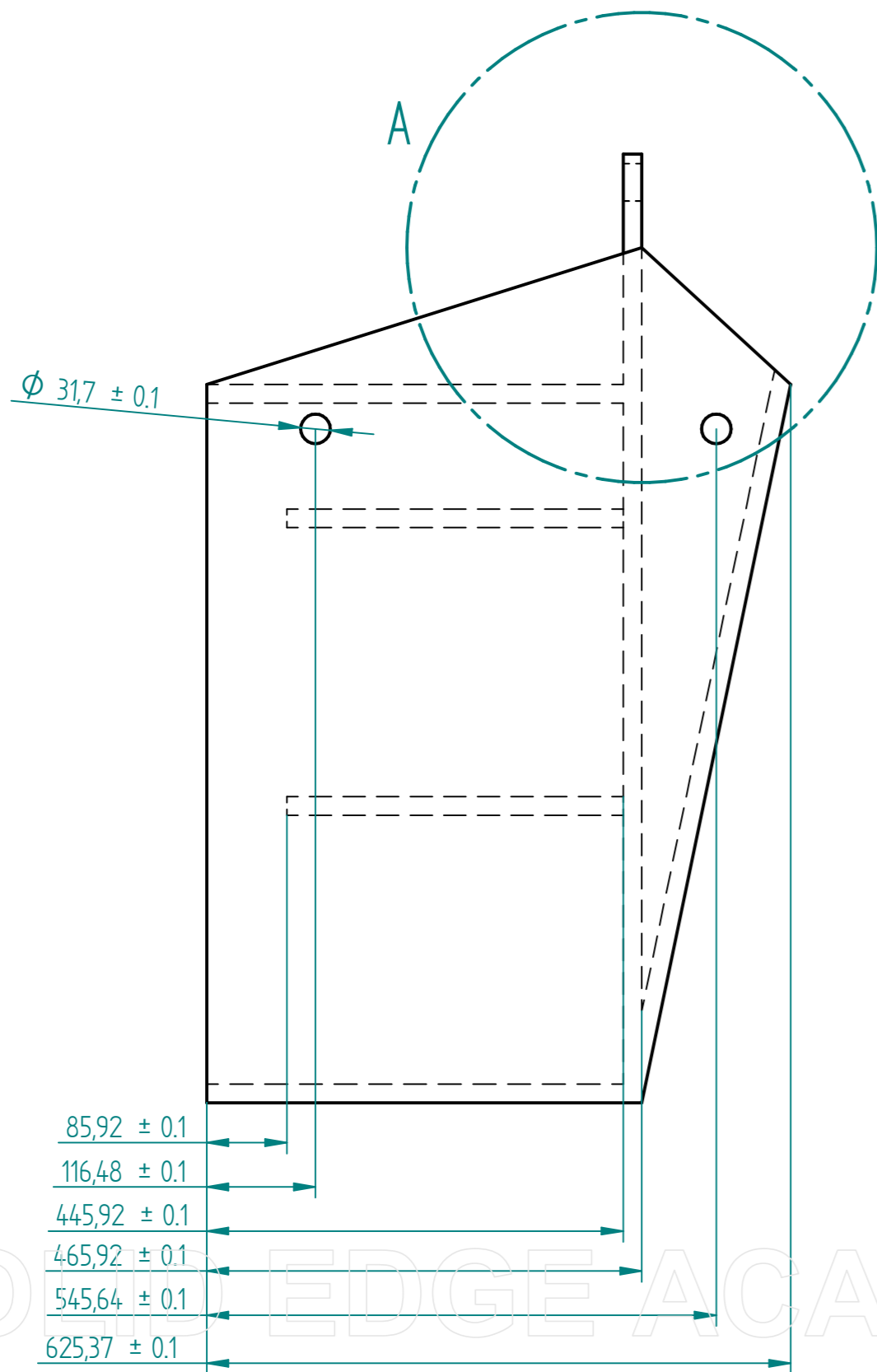
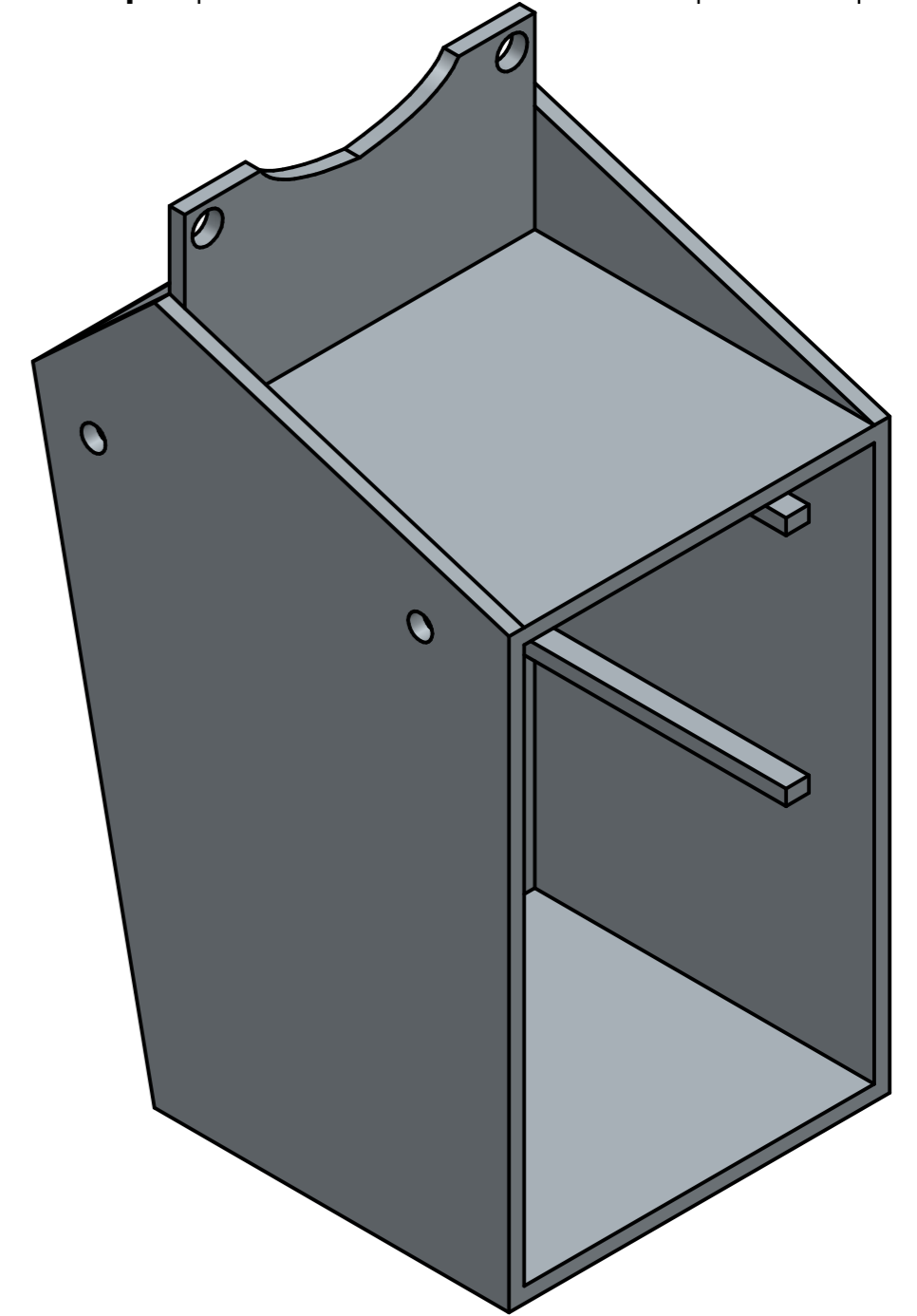
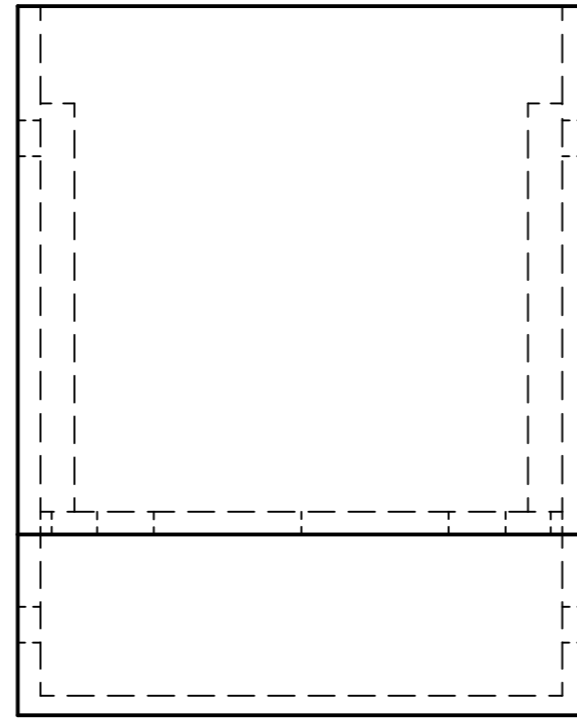
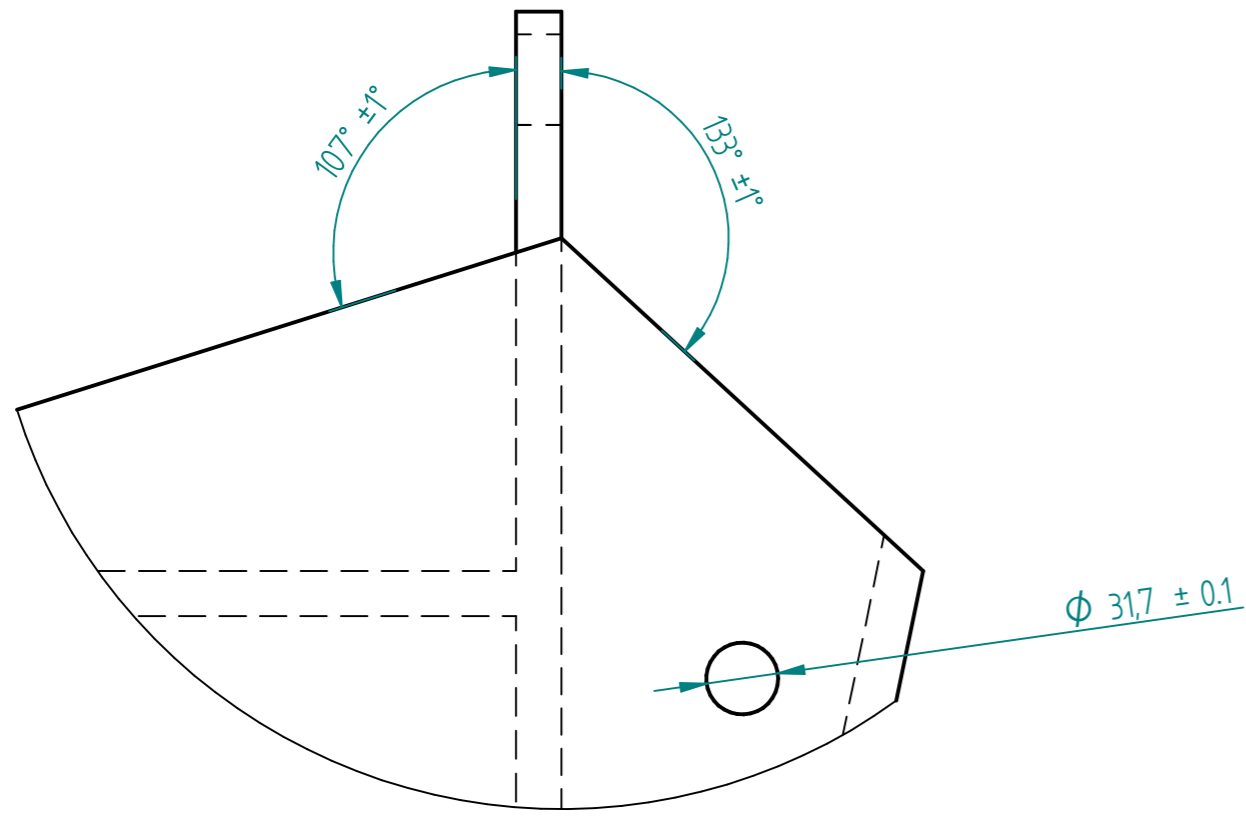


REVISION HISTORY			
REV	DESCRIPTION	DATE	APPROVED

DETAIL A



	NAME	DATE	Solid Edge	
DRAWN	Porai Gwendere	01/18/19		
CHECKED			TITLE Fork In The Road: Mobile Kitchen Main Unit	
ENG APPR			SIZE A2	DWG NO 1
MGR APPR			FILE NAME: Main Unit.dft	REV 1
UNLESS OTHERWISE SPECIFIED DIMENSIONS ARE IN MILLIMETERS AND ANGLES IN (°)			SCALE:	WEIGHT:
				SHEET 1 OF 2

SOLID EDGE ACADEMIC COPY